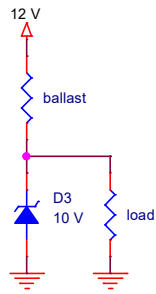
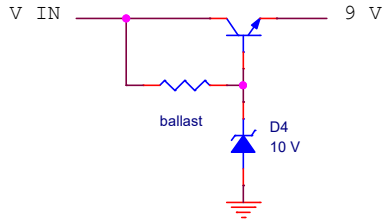


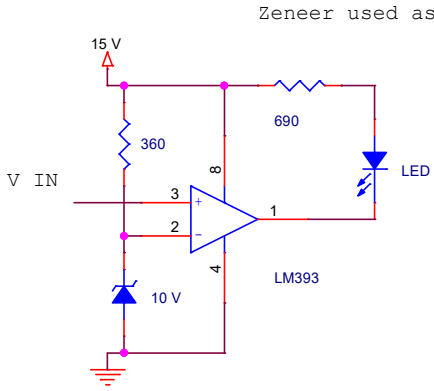
Light the LED when the input gets above about 10.6 V.
(10 plus E-B V)



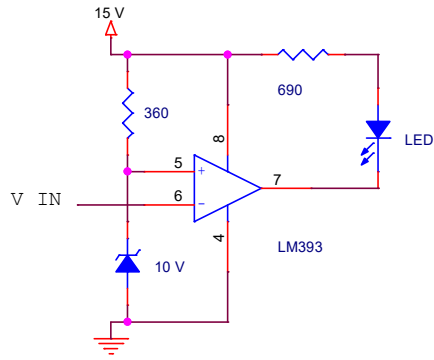
Keep the load voltage constant as VCC changes or load current changes. Load current should be about 10% of ballast current.



Voltage Regulator
Note that you can adjust the voltage by adjusting the current through the Zener.
Zener current should be about four times the emitter current divided by the gain of the transistor.



Turn on the LED when V IN goes below 10 V.



Turn on the LED when V IN goes above 10 V.

Title		
10 V Zener diode, G25668		
Size	Document Number	Rev
A	Design 1931	1
Date:	Tuesday, August 24, 2021	Sheet 1 of 1