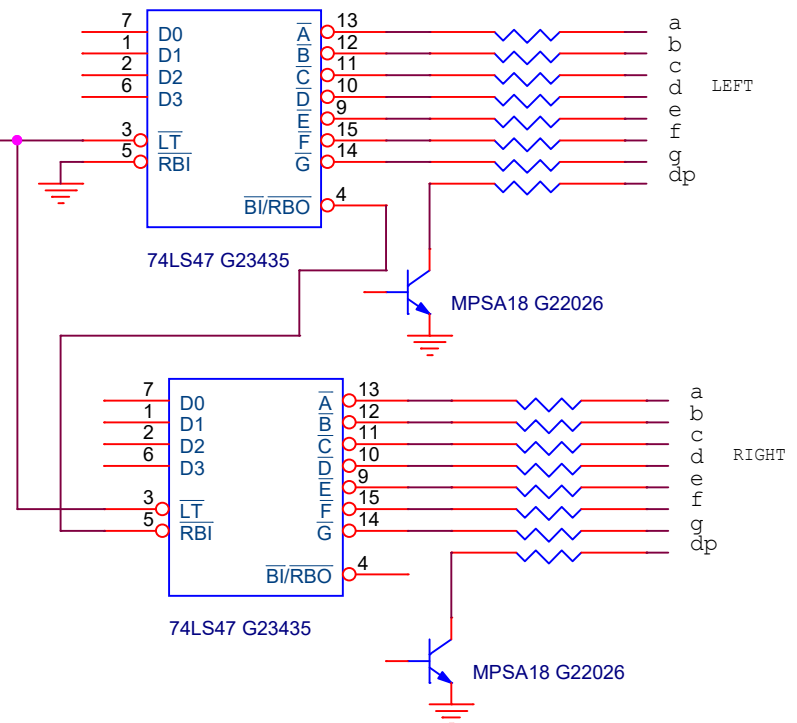


TTL output
active high

0 => LAMP TEST

VCC = 5 V
V LED = 1.8 V
V R = 3.2 V
R sets brightness
2 mA to 30 mA
110 to 1,600 Ohms



Title		
G22057 and G22059 Dual7 segment displays		
Size	Document Number	Rev
A	Design 1837	1
Date:	Sunday, May 02, 2021	Sheet 1 of 1